

**BIONAIRE**  
**PERMAtech™**  
**air cleaner**  
 MODEL BAP1415-CN



Read instructions before operating. Retain for future reference.

## Instruction Leaflet

**INFO-LINE**

If after having read this leaflet, you have any questions or comments on air cleaners, call **1-800-253-2764** in North America.

### AIR CLEANER SAFETY

## PLEASE READ AND SAVE THESE IMPORTANT SAFETY INSTRUCTIONS

### IMPORTANT SAFEGUARDS

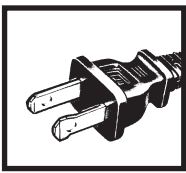
When using electrical appliances, basic safety precautions should always be followed to reduce the risk of fire, electric shock, and injury to persons, including the following:

- Read all instructions before using the appliance.
- To avoid fire or shock hazard, plug the appliance directly into a 120V AC electrical outlet.
- If the filter is covered by a bag when shipped: Remove plastic bag before use.
- Keep the cord out of heavy traffic areas. To avoid fire hazard, NEVER put the cord under rugs, near heat registers, radiators, stoves, or heaters.
- To protect against electrical hazards, DO NOT immerse in water or other liquids. Do not use near water.
- Close supervision is necessary when any appliance is used by or near children, or disabled persons.
- Always unplug the air cleaner before moving it, opening the grill, changing the filters, cleaning, or whenever the air cleaner is not in use. Be sure to pull by the plug and not the cord.
- NEVER drop or insert any object into any openings.
- DO NOT operate any appliance with a damaged cord or plug, if motor fan fails to rotate, after the appliance malfunctions, or if it has been dropped or damaged in any manner. Return appliance to manufacturer for examination, electrical or mechanical adjustment, or repair.
- Use appliance only for intended household use as described in this manual. Any other use not recommended by the manufacturer may cause fire, electric shock, or injury to persons. The use of attachments not recommended or sold by JCS/THG, LLC may cause hazards.
- DO NOT use outdoors.
- NEVER block the air openings, grills/outlets or place on a soft surface such as a bed or sofa, as this could cause the unit to tip over, blocking the Air Intake Opening/Grill.
- Keep unit away from heated surfaces and open flames.
- DO NOT attempt to repair or adjust any electrical or mechanical functions on this unit. Doing so will void your warranty. The inside of the unit contains no user serviceable parts except the filter. All servicing should be performed by qualified personnel only.

- **WARNING:** To reduce the risk of fire or electric shock, DO NOT use this air cleaner with any solid-state speed control device.
- DO NOT place anything on top of unit.

## PLEASE READ AND SAVE THESE IMPORTANT SAFETY INSTRUCTIONS

### CONSUMER SAFETY INFORMATION



This appliance has a POLARIZED AC PLUG (one blade is wider than the other). To reduce the risk of electric shock, this plug is intended to fit in a polarized outlet only one way. If the plug does not fit fully in the outlet, reverse the plug. If it still does not fit, contact a qualified electrician to install the proper outlet.

### DO NOT DEFEAT THE SAFETY PURPOSE OF THIS POLARIZED PLUG IN ANY WAY.

### CORD AND PLUG INSTALLATION SAFETY INSTRUCTIONS

The length of cord used on this appliance was selected to reduce the hazards of becoming tangled in, or tripping over a longer cord. If a longer cord is necessary, an approved extension cord may be used. The electrical rating of the extension cord must be equal to or greater than the rating of the air cleaner. Care must be taken to arrange the extension cord so that it will not drape over the countertop or tabletop where it can be pulled on by children or accidentally tripped over.

**Thank you for choosing a Bionaire® air cleaner. To ensure the best performance from your air cleaner, please read and save the following instructions.**

### IONIZER

Your Air Cleaner has an independently controlled ionizer, which, when turned on, releases negative ions into outgoing filtered air. Ions are tiny particles that carry a positive or negative charge. These ions exist naturally around us, in the air, water and ground. Both positive and negative ions are colorless, odorless and completely harmless.

Negative ions help the air purification process by attaching themselves to very small airborne particles in the room. These particles take on a negative charge and may join with positively charged particles such as dust, pollen, smoke and pet dander to form larger particles that are then more readily captured by the filter system, or they may be attracted to positively charged surfaces like walls or floors.

You may also note after extended use, that dust may have collected around the grills or front panel. This is from the ionization affect caused by the negative ions exiting from the air outlet. This is additional evidence of the air cleaning effectiveness of negative ions. The dust can be easily removed with a clean, damp cloth or soft brush.

**NOTE:** It is important to clean the PERMAtech™ filter at the recommended intervals. Using the ionizer in conjunction with dirty filters may result in dirty particles exiting the air cleaner and being attracted to walls, carpets, furniture or other household objects. These dirty particles may prove very difficult to remove.

## If the filters are enclosed in plastic bags please ensure that the bags are removed prior to operation.

### OPERATING INSTRUCTIONS

1. Carefully unpack your Air Cleaner. Select a firm level place where there are no obstructions to the air inlet or filtered air outlet. A good location in a room is approximately 1 foot away from the wall, in a central location of your home. **DO NOT POINT AIR OUTLET TOWARDS WALL.**
2. Plug into a 120V AC electrical outlet.
3. Press the power button (⏻). The unit will turn onto high and the power light will illuminate letting you know the power is on.
4. You can then select the desired speed setting. This air cleaner has three speed settings. You can select from HIGH (⏻), MEDIUM (⏻), or LOW (⏻) by pushing the desired operating speed button on the control panel or the remote control.
5. To release negative ions into the filtered air, press the ionizer button (⏻) to ON and the light will illuminate.

6. For optimum air filtration, it is recommended to operate the air cleaner continuously. Its rugged motor has been designed to give many years of use.

For continuous use, it's recommended to operate the air cleaner at the MEDIUM setting. For quieter operation or use in a bedroom, select the LOW setting. When high levels of air particulates are present, select the HIGH setting to quickly circulate and filter the room air.

### REMOTE CONTROL

Your remote control requires (2) AAA batteries (included) for operation. To install the batteries, simply depress and slide the back of the remote control with your thumb on the arrow indentation. Insert batteries according to the diagram shown inside and replace cover.

- Do NOT mix old and new batteries.
  - DO NOT mix alkaline, standard (carbon-zinc) or rechargeable (nickel-cadmium) batteries.
1. Set air cleaner on a dry, level surface.
  2. Plug cord into any standard 120V AC outlet.
  3. To turn the air cleaner on, press the power button (⏻) and then select the desired operating speed by pressing any speed button on the remote control or on the control panel.
  4. The speed is adjustable by pressing either the Speed Button on the remote control or on the control panel.
  5. To turn the unit off, press the power button (⏻) on either the remote control or on the control panel.

### CLEANING/MAINTENANCE INSTRUCTIONS

Turn off and unplug the unit before cleaning.

1. The outside of the air cleaner can be cleaned with a soft, damp cloth.
2. The rear air inlet grill can be removed and washed in warm soapy water (not dishwasher safe). Dry before replacing in the unit.
3. The front air outlet grill can be cleaned of dust with a small soft brush or cloth.

**WARNING:** Do not allow moisture to come in contact with the main housing of the air cleaner.

### PERMATECH™ FILTER CLEANING INSTRUCTIONS

1. Filter Service Indicator (⊗) – Your air cleaner has an indicator light that illuminates when it is time to clean the PERMAtech™ filters.
2. Every few weeks, check the condition of the filter.
3. Turn off and unplug unit. Remove the air inlet grill by pulling the air inlet grill towards you by grasping the finger tab on the top of the unit.

4. Remove and examine the foam pre-filter. If it has collected a noticeable amount of dust or lint, remove it from the inlet of the grill and wash it in warm soapy water. Rinse and drip dry the pre-filter thoroughly before replacing it into the inlet of the grill.

5. With the rear inlet grill removed, check the condition of your PERMAtech™ filter. If the filter are dirty, remove it by gripping on both sides and pulling forward.

6. To clean the PERMAtech™ filter use a brush attachment with your vacuum cleaner. Run the attachment along the inlet and outlet side of the filter trying to clean between the pleated filter layers. (Figure 1)

**DO NOT USE WATER OR ANY OTHER HOUSEHOLD CLEANERS OR DETERGENTS TO CLEAN THE PERMAtech™ FILTER.**

**Note:** Vacuuming will restore performance of the PERMAtech™ filter however, the filter may appear stained. This is normal and does not affect performance in any way.

7. This model utilizes a hang tab and filter clips to insure that the filter is properly in place. Before replacing the PERMAtech™ filter make sure that the hang tab is securely in place. The clip can only be attached to the tabs on the filter one way. The filter clip should easily slide onto the filter hang tab with only a small amount of pressure. DO NOT use force while attaching the clip to the filter. (Figure 2).
8. Align the clip on the top of the PERMAtech™ filter with the rails on the inside of the purifier unit. Gently slide the filter onto the rail (Figure 3). **NOTE:** The side with the soft gasket should face inward.
9. Replace air inlet grill back onto unit securely.
10. The filter service indicator must be reset once the PERMAtech™ filter has been cleaned. Reset indicator by holding the power button depressed (⏻) for 2 seconds.

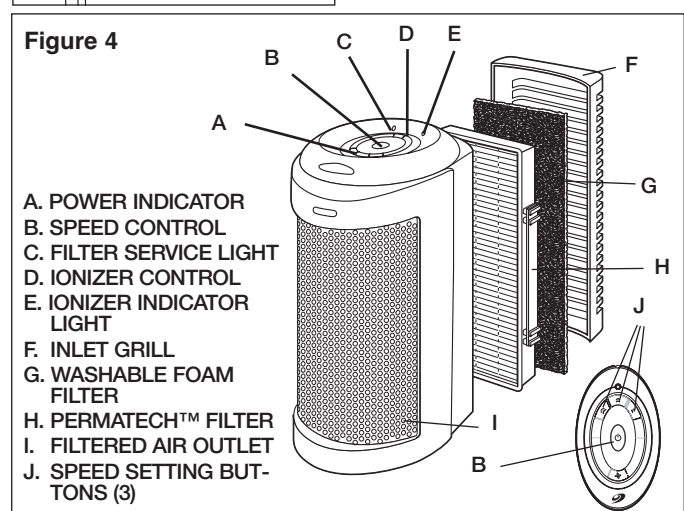
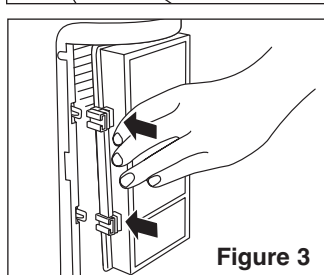
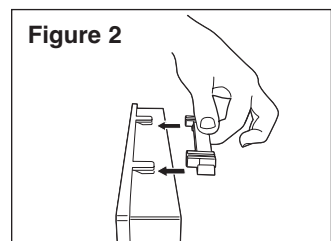
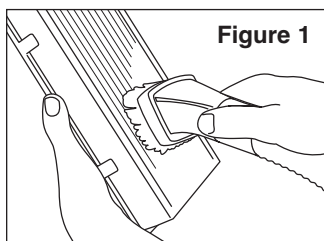
**Filter Life – The filter has been designed to never need replacement, however, it does need servicing. We recommend that under normal conditions of continuous use, the filter should be cleaned at least every 3 months to help maintain optimal performance.**

Should the filter become damaged during cleaning replacements are available by calling **1-800-253-2764**.

Air Cleaner Model #	Filter Quantity Needed	Filter #	Filter Description
BAP1415-CN	1	740000000203	PERMATECH™ Filter

### TROUBLESHOOTING

Problem	Solution
Unit will not operate	<ul style="list-style-type: none"> <li>• Check to make sure the unit is plugged in.</li> <li>• Check to make sure the unit is on by pressing the power button.</li> </ul>
Decreased airflow	<ul style="list-style-type: none"> <li>• If the Filter Service Indicator is red, the PERMAtech™ filter should be cleaned.</li> <li>• Check the filter to make sure it is in good condition.</li> <li>• Check to ensure nothing is blocking air inlet and filtered air outlet.</li> </ul>
Noise	<ul style="list-style-type: none"> <li>• Make sure filter bag are removed if present.</li> </ul>



### AIR CLEANER SERVICE INSTRUCTIONS

1. DO NOT attempt to repair or adjust any electrical or mechanical functions on this unit. Doing so will void the warranty. The inside of the unit contains no user serviceable parts. All servicing should be performed by qualified personnel only.
2. If you need to exchange the unit, please return it in its original carton, with a sales receipt, to the store where you purchased it. If you are returning the unit more than 30 days after the date of purchase, please see the enclosed warranty.
3. Should your Air Cleaner require service, please call **1-800-253-2764** in North America for further assistance. A return authorization will be given when you call.
4. ☑ If you have any other questions or comments, feel free to write to us:

Bionaire®  
 JCS/THG, LLC  
 Consumer Service Department  
 13120 Jurupa Avenue  
 Fontana, CA 92337

Visit our website at [www.bionaire.com](http://www.bionaire.com)

### TOW (2) YEAR LIMITED WARRANTY

#### SAVE THIS WARRANTY INFORMATION

- A. This Warranty applies only to the original purchaser of this product.
- B. This Warranty applies ONLY to repair or replacement of any supplied or manufactured parts of this product that, upon inspection by JCS/THG, LLC authorized personnel, is shown to have failed in normal use due to defects in material or workmanship. JCS/THG, LLC will determine whether to repair or replace the unit. This Warranty does not apply to installation expenses.
- C. Operating this unit under conditions other than those recommended or at voltages other than the voltage indicated on the unit, or attempting to service or modify the unit, will render this WARRANTY VOID.
- D. Unless otherwise proscribed by law, JCS/THG, LLC shall not be liable for any personal injury, property or any incidental or consequential damage of any kind resulting from malfunctions, defects, misuse, improper installation or alteration of this product.
- E. All parts of this product excluding filters, which are covered under separate warranty, are guaranteed for a period of 2 years as follows:
  1. Within the first 30 days from date of purchase, the store from which you purchased your product should replace this product if it is defective in material or workmanship (provided the store has in-stock replacement.) If you intend to assert any claim in connection with the product, please follow the instructions in paragraph F.
  2. Within the first 24 months from date of purchase, JCS/THG, LLC will repair or replace the product if it is defective in material or workmanship, subject to the conditions in paragraph G.
- F. If you have any other problem or claim in connection with this product, please write to our Consumer Service Department.
- G. IMPORTANT RETURN INSTRUCTIONS. Your Warranty depends on your following these instructions if you are returning the unit to JCS/THG, LLC:
  1. Carefully pack the item in its original carton or other suitable box to avoid damage in shipping.
  2. Before packing your unit for return, be sure to enclose:
    - a) Your name, full address with zip code and telephone number
    - b) A dated sales receipt or PROOF OF PURCHASE,
    - c) Your \$7.50 check for return shipping and handling, and

- d) The model number of the unit and the problem you are having. (Enclose in an envelope and tape directly to the unit before the box is sealed.)
3. JCS/THG, LLC recommends you ship the package U.P.S. ground service for tracking purposes.
4. All shipping charges must be prepaid by you.
5. Mark the outside of your package:

Bionaire®  
 JCS/THG, LLC  
 13120 Jurupa Avenue  
 Fontana, CA 92337

SHIPPING AND HANDLING CHARGES: \$7.50 (USD)

This Warranty gives you specific legal rights, and you may have other rights which vary from state to state. The provisions of this Warranty are in addition to, and not a modification of, or subtraction from, the statutory warranties and other rights and remedies contained in any applicable legislation. To the extent that any provision of this Warranty is inconsistent with any applicable law, such provision shall be deemed voided or amended, as necessary, to comply with such law.

# BIONAIRE®

## PERMAtech™

### Purificateur d'air

MODÈLE BAP1415-CN



Lisez les instructions avant l'utilisation.  
À conserver pour consultation future.

## Guide d'utilisation

**LIGNE D'INFORMATION**  
Si vous avez des questions sur les purificateurs d'air après la lecture de ce guide, téléphonez au **1-800-253-2764** (Amérique du Nord).

9100040002361

## SECURITE DU PURIFICATEUR D'AIR

# LISEZ ET CONSERVEZ CES CONSIGNES DE SECURITE IMPORTANTES

### MESURES DE PRECAUTION IMPORTANTES

Certaines consignes de sécurité de base doivent toujours être respectées lors de l'utilisation de votre appareil électrique afin de réduire les risques d'incendie, d'électrocution et de blessure, incluant :

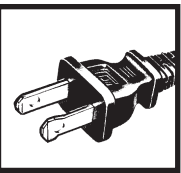
- Avant d'utiliser cet appareil, lisez toutes les directives.
- Afin d'éviter les risques d'incendie ou de choc électrique, branchez directement l'appareil dans une prise électrique de CA 120 V.
- Si le filtre est couvert d'un sac : Retirez le sac de plastique avant l'utilisation.
- Gardez le cordon loin des zones passantes. Afin d'éviter les risques d'incendie, ne placez JAMAIS le cordon sous un tapis, près d'un élément chauffant, d'un radiateur, d'un tour ou d'un appareil de chauffage.
- Afin de vous protéger contre les chocs électriques, N'IMMERGEZ pas cet appareil. Ne l'utilisez pas près de l'eau.
- Une surveillance attentive est nécessaire lorsque tout appareil est utilisé par des enfants ou des personnes handicapées, ou à proximité.
- Débranchez toujours le purificateur d'air avant de le déplacer, d'ouvrir la grille, de changer le filtre, de le nettoyer, ou lorsqu'il n'est pas utilisé. Assurez-vous d'agripper la fiche, et non le cordon.
- N'échappez JAMAIS l'appareil et n'insérez JAMAIS aucun objet dans les ouvertures.
- N'UTILISEZ PAS l'appareil si sa fiche ou son cordon sont endommagés, si son moteur ne tourne pas, suite à un mauvais fonctionnement ou s'il a été échappé ou endommagé. Retournez l'appareil au fabricant pour vérification, réglage électrique ou mécanique ou réparation.
- Utilisez cet appareil à ce pour quoi il a été conçu, tel que décrit dans ce guide. Toute autre utilisation non recommandée par le fabricant peut causer un incendie, un choc électrique ou des blessures. L'utilisation d'accessoires non recommandés par The Holmes Group peut être dangereuse.
- N'UTILISEZ PAS l'appareil à l'extérieur.
- Ne bloquez JAMAIS les trappes d'air, la grille ou les sorties. Ne placez pas l'appareil sur une surface molle telle un lit ou un divan : cela ferait basculer l'appareil, bloquant l'entrée d'air ou la grille.
- Gardez l'appareil à distance de toute surface chauffée et des flammes.
- NE TENTEZ PAS de réparer ou de régler une fonction électrique ou mécanique de l'appareil. Ce faisant, vous annuleriez votre garantie. L'intérieur de l'appareil ne contient

aucune pièce pouvant être réparée par l'utilisateur. Tout entretien doit être effectué par le personnel qualifié seulement.

- **AVERTISSEMENT** : Afin de réduire les risques d'incendie et de choc électrique, N'UTILISEZ pas ce purificateur d'air avec un appareil de contrôle de la vitesse.
- NE PLACEZ rien sur le dessus de l'appareil.

## LISEZ ET CONSERVEZ CES CONSIGNES DE SECURITE IMPORTANTES

### RENSEIGNEMENTS SUR LA SECURITE



CET APPAREIL EST DOTÉ D'UN CORDON À FICHE POLARISÉE (une lame est plus large que l'autre). Afin de réduire les risques d'électrocution, cette fiche ne s'insère que d'un seul sens dans la prise électrique. Si la fiche ne s'insère pas dans la prise, retournez la fiche. Si elle ne s'adapte toujours pas, contactez un électricien qualifié afin d'installer la prise appropriée.

### NE MODIFIEZ AUCUNEMENT LE DISPOSITIF DE SECURITE DE CETTE FICHE POLARISÉE.

### CONSIGNES DE SECURITE RELATIVES À L'INSTALLATION DU CORDON ET DE LA FICHE

La longueur du cordon de cet appareil a été choisie afin de réduire les risques que quelqu'un s'y emmêle ou y trébuche. Si un cordon plus long est nécessaire, une rallonge homologuée peut être utilisée. La valeur nominale de la rallonge doit être égale ou supérieure à la valeur nominale du purificateur d'air. Un soin particulier doit être apporté à l'emplacement de la rallonge et du cordon d'alimentation : ils doivent être placés de façon à ne pas tomber par-dessus le comptoir ou la table, afin d'éviter de trébucher et afin de les garder hors de la portée des enfants.

**Merci d'avoir choisi un purificateur d'air ioniseur Bionaire®. Afin de vous garantir du meilleur rendement offert par votre purificateur d'air, veuillez lire et conserver ces instructions.**

### IONISEUR

Votre purificateur d'air est doté d'un ioniseur à contrôle indépendant qui relâche des ions négatifs dans l'air purifié sortant lorsqu'il est mis en fonction. Les ions sont de petites particules qui transportent une charge positive ou négative. Ces ions existent naturellement dans l'atmosphère, dans l'air, l'eau et le sol. Les ions positifs et négatifs sont invisibles, inodores et sans aucun danger.

Les ions négatifs aident au processus de purification d'air en s'attachant à de très petites particules en suspension dans la pièce. Ces particules adoptent une charge négative et peuvent se joindre à des particules de charge positive telles que la poussière, le pollen, la fumée ou la squame animale, pour former de plus grosses particules plus faciles à récupérer par le système de purification, ou elles peuvent être attirées aux surfaces chargées positivement telles que les murs ou les planchers. Vous pourrez aussi remarquer, après une utilisation prolongée, que de la poussière s'est accumulée autour des grilles ou du panneau frontal. Ceci résulte de l'effet d'ionisation causé par le passage des ions négatifs à travers la sortie d'air. Il s'agit d'une preuve supplémentaire de l'efficacité de nettoyage des ions négatifs. La poussière peut facilement être retirée à l'aide d'un linge propre et humide ou d'une brosse douce.

**REMARQUE** : Il est important de nettoyer le filtre PERMAtech™ aux intervalles recommandés. L'utilisation du ioniseur avec un filtre sale peut causer la sortie de particules souillées depuis le purificateur d'air. Ces particules seront attirées aux murs, tapis, meubles ou autres accessoires domestiques. Ces particules souillées pourraient être très difficiles à éliminer.

## IMPORTANT : Si les filtres sont emballés dans des sacs de plastique, retirez les sacs avant de les utiliser.

### CONSIGNES D'UTILISATION

1. Déballez votre purificateur d'air avec soin. Sélectionnez un endroit ferme et au niveau, libre d'obstruction à l'entrée d'air ou à la sortie d'air purifié. Un bon emplacement dans une pièce est à approximativement 1 pied du mur, dans un endroit central de votre demeure.
- NE DIRIGEZ PAS LA SORTIE D'AIR VERS LE MUR.
2. Branchez l'appareil dans une prise électrique de CA 120 V.
3. Appuyez sur le bouton de démarrage (⏻). L'appareil s'allumera en vitesse élevée et le témoin d'alimentation s'allumera, vous informant que l'appareil est allumé. Au prochain démarrage, l'appareil se rappellera de la dernière vitesse sélectionnée et l'utilisera.
4. Vous pouvez sélectionner le réglage de vitesse désiré. Le purificateur d'air permet trois réglages de vitesse. Vous pouvez sélectionner ÉLEVÉ (⏻), MOYENNE (⏻) ou FAIBLE (⏻) en poussant sur le bouton de vitesse désirée, sur le panneau de commande ou sur la télécommande.

- d) le numéro de modèle de l'appareil et une description du problème éprouvé (le tout dans une enveloppe fixée à l'appareil avec du ruban adhésif avant de sceller la boîte).
3. JCS/THG, LLC recommande que vous envoyiez le colis par messagerie terrestre U.P.S. pour faciliter le suivi.
4. Vous devez défrayer à l'avance tous les frais de transport.
5. Inscrivez à l'extérieur du colis :  
Bionaire®  
JCS/THG, LLC  
13120 Jurupa Avenue  
Fontana, CA 92337  
FRAIS DE TRANSPORT ET DE MANUTENTION : 7,50 \$ (USD)

Bien que cette Garantie vous accorde certains droits particuliers, il se peut que vous puissiez jouir d'autres droits qui varient d'un état à l'autre et d'une province à l'autre. Les dispositions de cette Garantie sont en plus, et non une modification ni une soustraction, des Garanties statutaires et autres droits et recours contenus dans les lois applicables. Dans le cas où une disposition de cette Garantie contreviendrait à une loi applicable, cette disposition sera considérée annulée ou amendée, selon le besoin, pour se conformer à la loi en question.

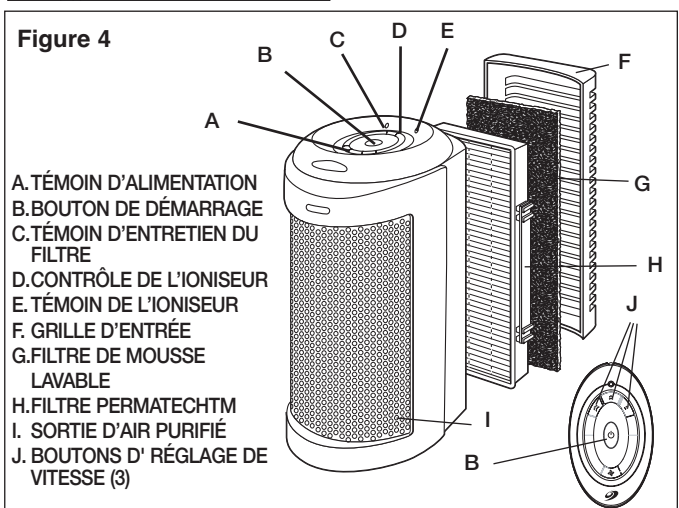
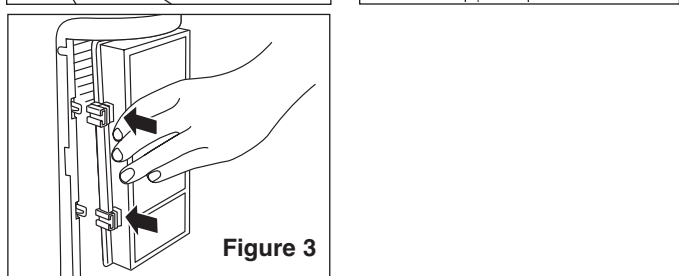
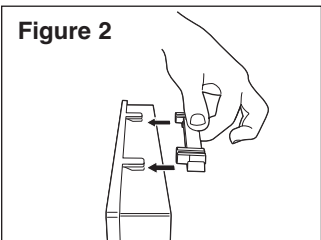
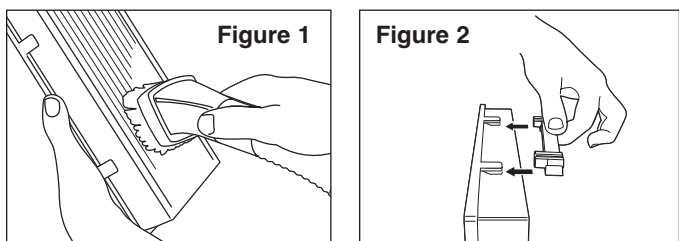
©2006 JCS/THG, LLC  
Bionaire®, les logos Bionaire® et PERMAtech™ sont des marques déposées de JCS/THG, LLC.

BAP1415CN05EFM1

Imprim. en Chine

### DÉPANNAGE

Problème	Solution
L'appareil ne fonctionne pas.	• Assurez-vous que l'appareil es branché. • Assurez-vous que l'appareil est allumé en appuyant sur le bouton d'alimentation.
Débit d'air diminué	• Si le témoin d'entretien du filtre est rouge, le filtre PERMAtech™ doit être nettoyé. • Vérifiez que le filtre est en bonne condition. • Vérifiez que rien ne bloque l'entrée d'air et la sortie d'air purifié.
Bruit	• Assurez-vous que les sacs du filtre sont retirés.



### INSTRUCTIONS D'ENTRETIEN DU PURIFICATEUR D'AIR

1. NE TENTEZ PAS de réparer ou de régler une fonction électrique ou mécanique de l'appareil. Ce faisant, vous annuleriez votre garantie. L'intérieur de l'appareil ne contient aucune pièce pouvant être réparée par l'utilisateur. Tout entretien doit être effectué par le personnel qualifié seulement.
2. Si vous devez échanger l'appareil, retournez-le à votre détaillant dans sa boîte originale accompagné d'un coupon de caisse. Si vous retournez l'appareil plus de 30 jours après la date d'achat, consultez la garantie.
3. Si votre purificateur d'air nécessite un entretien, veuillez téléphoner au **1-800-253-2764** (Amérique du Nord). Une autorisation de retour vous sera donnée au moment de votre appel.
4. ☒ Si vous avez des questions ou commentaires, écrivez-nous :

Bionaire®  
JCS/THG, LLC  
Consumer Service Department  
13120 Jurupa Avenue  
Fontana, CA 92337

Visitez notre site Web : [www.bionaire.com](http://www.bionaire.com)

### GARANTIE LIMITÉE DE DEUX (2) ANS CONSERVEZ CETTE INFORMATION SUR LA GARANTIE

- A. Cette Garantie ne s'applique qu'à l'acheteur d'origine de ce produit.
- B. Cette garantie s'applique SEULEMENT aux réparations ou au remplacement des pièces fournies avec ce produit ou fabriquées pour celui-ci et qui, sur inspection par du personnel autorisé de JCS/THG, LLC S'avèrent avoir fait défaut durant l'utilisation normale suite à un vice de matériau ou de fabrication. JCS/THG, LLC Décidera si l'appareil sera réparé ou remplacé. Cette garantie ne couvre pas les frais d'installation.
- C. L'opération de cet appareil dans des conditions autres que celles recommandées ou à une tension autre que celle indiquée sur l'appareil, ou la tentative de réparer ou de modifier l'unité ANNULERA LA GARANTIE.
- D. À moins que la loi ne l'interdise, JCS/THG, LLC n'assumera aucune responsabilité en ce qui concerne les blessures corporelles, les dommages matériels ou les dommages accessoires ou indirects résultant d'anomalies, de défauts, de mésusage, d'une installation fautive ou de l'altération du produit.
- E. Toutes les pièces de ce produit sont garanties pour une période de 2 ans, comme suit :

1. Dans les 30 jours suivant l'achat, le magasin où vous avez acheté ce produit le remplacera s'il fait défaut à cause d'un vice de matériau ou de fabrication (à condition que le magasin ait un remplacement en stock). Si vous avez l'intention de formuler toute réclamation en ce qui a trait à ce produit, veuillez suivre les directives figurant au paragraphe F.
2. Durant les 24 premiers mois à partir de la date de l'achat, JCS/THG, LLC réparera ou remplacera le produit défectueux (vices de fabrication ou de matières premières), sous réserve des conditions du paragraphe G.
- F. Si vous éprouvez tout autre problème ou que vous désirez formuler une réclamation en ce qui a trait à ce produit, veuillez écrire à notre service à la clientèle.
- G. DIRECTIVES IMPORTANTES DE RETOUR. La validité de votre Garantie dépend du soin pris à suivre ces directives si vous retournez l'appareil à JCS/THG, LLC:
  1. Emballez soigneusement le produit dans sa boîte d'origine ou dans toute autre boîte appropriée afin d'éviter les dommages durant le transport.
  2. Avant de sceller la boîte, assurez-vous d'inclure:
    - a) votre nom et adresse complète avec code postal et numéro de téléphone;
    - b) le bon de caisse portant la date ou une PREUVE D'ACHAT;
    - c) un chèque de 7,50 \$ (USD) pour les frais de manutention et de transport de retour; et